



Air Conditioning & Heating



**OUTPUT CAPACITIES**  
**14, 18, OR 19 GALLONS PER DAY**

## PRODUCT SPECIFICATIONS

# HUM SERIES

**HIGH-CAPACITY**  
**FLOW-THRU BYPASS**

**AND**

**FLOW-THRU**  
**FAN-POWERED HUMIDIFIERS**



For full details on our warranties, visit [www.goodmanmfg.com](http://www.goodmanmfg.com)

The Goodman® HUM Bypass and Fan-Powered High-Capacity Humidifiers are a good choice for homes with warm-air heating systems. The durable thermoplastic cabinet resists rust, corrosion, and warping.

### Standard Features

- Designed to fit today's narrower plenums, as narrow as 10" (HUM-SFTBP) and 14" (HUM-LFTBP, HUM-FP)
- Reversible side panels with snap-lock fittings permit easy change: left or right bypass installation (HUM-SFTBP, HUM-LFTBP)
- Ideal for installations where the return air plenum is not easily accessible (HUM-FP)
- Summer shut-off damper reduces bypass air through the humidifier during the summer months (HUM-SFTBP, HUM-LFTBP)
- Improved wicking and water distribution system accommodates non-level plenums
- Low profile makes unit ideal in limited spaces
- Evaporator pad dispenses water evenly in front of a warm air stream to evaporate and efficiently raise the humidity level

### Cabinet Features

- Durable thermoplastic cabinet resists rust, corrosion, and warping
- Architectural Gray UV-resistant plastic exterior

### Accessories

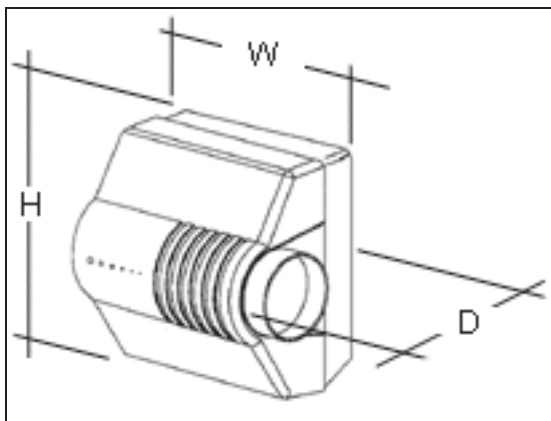
- Installation Package (humidistat, self-piercing saddle valve, mounting template, and mounting hardware)
- Remote Sensing Relay (HUM-A50)
- Evaporator Pad for HUM-LFTBP and HUM-FP (HUM-1725051)
- Evaporator Pad for HUM-SFTBP (HUM-1725052)
- In-line Filters (HUM-1319051)

# PRODUCT SPECIFICATIONS

## SPECIFICATIONS

Model	Description	Voltage	Moisture Output Capacity			Weight (Lbs.)
			Lbs. / Hour	Gals. / Hour @ 120 *F (GPH)	Gals. / Day (GPD)	
HUM-SFTBP	Small, Flow-Thru Bypass	220	4.84	0.58	14	10
HUM-LFTBP	Large, Flow-Thru Bypass	220	6.26	0.75	18	11
HUM-FP	Fan-Powered Flow-Thru	110	6.60	0.79	19	15

## DIMENSIONS



Model	HUM-SFTBP	HUM-LFTBP	HUM-FP
Width	9 $\frac{5}{8}$ "	9 $\frac{5}{8}$ "	9 $\frac{5}{8}$ "
Depth	12 $\frac{1}{2}$ "	13 $\frac{3}{4}$ "	13 $\frac{3}{4}$ "
Height	13 $\frac{1}{2}$ "	18 $\frac{5}{8}$ "	18 $\frac{5}{8}$ "
Plenum Opening (H x W)	10" x 9"	16 $\frac{5}{8}$ " x 10 $\frac{5}{8}$ "	16 $\frac{5}{8}$ " x 13 $\frac{1}{8}$ "
Bypass Opening Diameter	6"	6"	N/A

## HUMIDIFIER SIZING CHART

Model	Recommended Max. Home Size (ft <sup>2</sup> )			Recommended Max. Home Size (ft <sup>3</sup> )			GPD @ 120°F for an 8' Ceiling
	Tight	Average	Loose	Tight	Average	Loose	
HUM-SFTBP	3,333	2,121	1,647	26,664	16,968	13,016	14
HUM-LFTBP	4,285	2,725	1,955	34,280	21,800	15,640	18
HUM-FP	4,525	2,880	2,065	36,200	23,040	16,520	19

**Note:** Ratings and calculations are from ARI 630. Some installations may allow for an additional bypass tube, which can boost performance by approximately 20 %. Requires purchase of additional parts.

### House Size Definitions:

*Tight House:* Insulated walls and ceilings; vapor barriers; weather stripping on doors and windows; snug doors, windows and fireplace damper. One-half air change per hour.

*Average House:* Insulated walls and ceilings; vapor barriers; loose doors, windows and fireplace damper. One air change per hour.

*Loose House:* No insulation, storm doors, storm windows, weather stripping or vapor barriers. Two air changes per hour.



Goodman Manufacturing Company, L.P., reserves the right to discontinue, or change at any time, specifications or designs without notice or without incurring obligations.  
Copyright © 2008 • Goodman Manufacturing Company, L.P. • Houston, Texas • Printed in the USA.